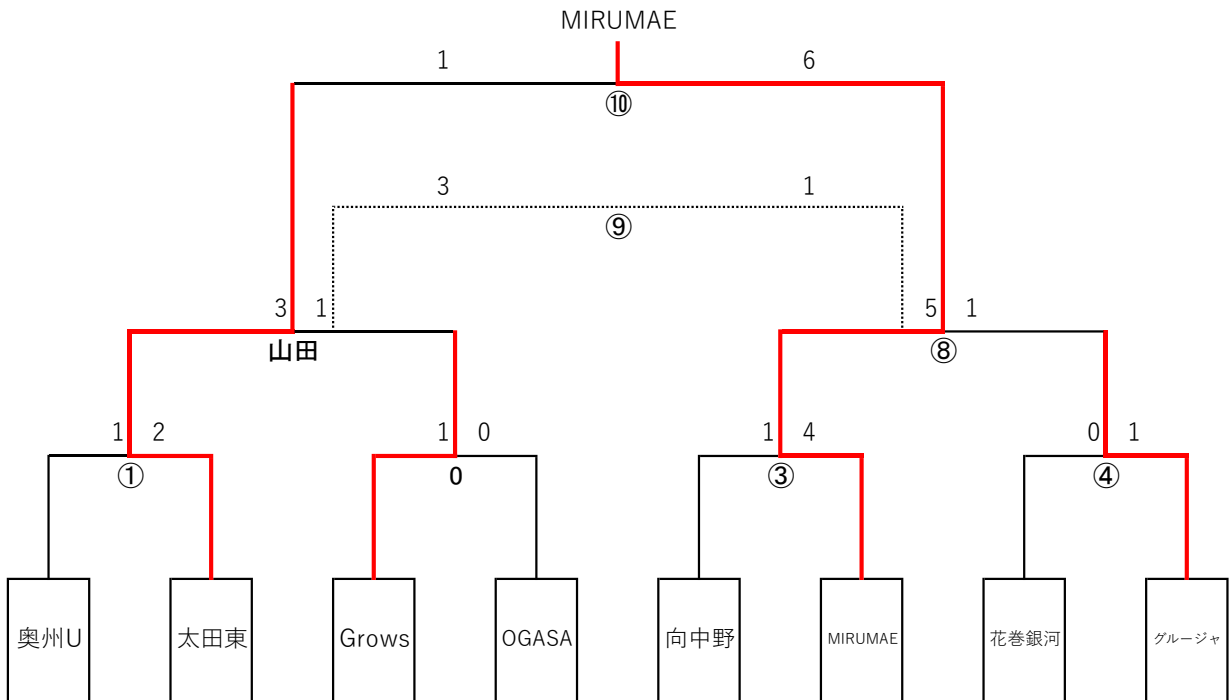
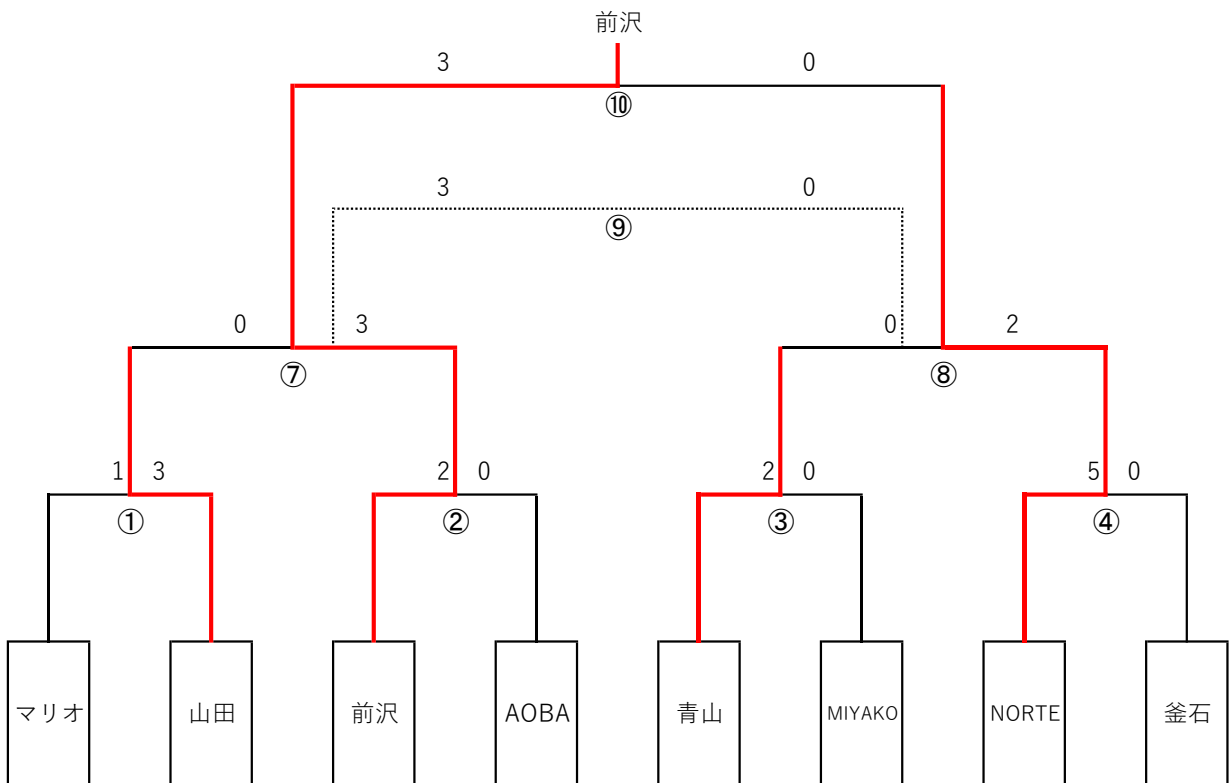


JAバンクカップ 第42回岩手県U-11サッカー新人大会 決勝トーナメント



JAバンクカップ 第42回岩手県U-11サッカー新人大会 2ndトーナメント



JAバンクカップ 第42回岩手県U-11サッカー新人大会 決勝リーグ

A'				
大槌				
	奥州U	黒沢尻東	マリオ	鶉飼
奥州U		1-0	2-1	2-0
黒沢尻東	0-1		3-5	0-0
マリオ	1-2	5-3		0-0
鶉飼	0-2	0-0	0-0	

B'				
山田				
	太田東	山田	花巻	矢巾
太田東		3-0	2-0	4-0
山田	0-3		3-2	3-0
花巻	0-2	2-3		3-0
矢巾	0-4	0-3	0-3	

C'				
赤崎				
	Grows	V岩手	前沢	アルタス
Grows		3-0	2-0	8-0
V岩手	0-3		0-1	2-0
前沢	0-2	1-0		2-0
アルタス	0-8	0-2	0-2	

D'				
高田				
	AOBA	Vとおの	OGASA	高田
AOBA		2-0	0-2	1-1
Vとおの	0-2		0-4	2-1
OGASA	2-0	4-0		5-0
高田	1-1	1-2	0-5	

E'				
大槌				
	Grows2	向中野	青山	アントス
Grows2		0-3	1-3	1-0
向中野	3-0		1-0	1-0
青山	3-1	0-1		0-1
アントス	0-1	0-1	1-0	

F'				
山田				
	千徳	MIRUMAE	江刺	MIYAKO
千徳		0-7	3-1	0-4
MIRUMAE	7-0		6-0	6-0
江刺	1-3	0-6		0-6
MIYAKO	4-0	0-6	6-0	

G'				
赤崎				
	花巻銀河	NORTE	大三	江釣子
花巻銀河		2-0	2-0	2-0
NORTE	0-2		4-0	0-0
大三	0-2	0-4		1-1
江釣子	0-2	0-0	1-1	

H'				
高田				
	金石	一関	久慈	グルージャ
金石		2-0	5-2	1-3
一関	0-2		0-1	0-5
久慈	2-5	1-0		0-6
グルージャ	3-1	5-0	6-0	

J Aバンクカップ 第42回岩手県U-11サッカー新人大会 1次ラウンドリーグ戦

◎リーグ戦星取り表

1/2

Table A: League standings for teams including 盛岡中央, ロビン, 奥州U, 一関南, Grows2, 黒北. Columns include Win, Draw, Loss, Points, Goals For, Goals Against, Goal Difference, Rank.

◎リーグ戦星取り表

2/2

Table I: League standings for teams including 和賀, アリザン, Grows, 花巻銀河, 玉山, 0. Columns include Win, Draw, Loss, Points, Goals For, Goals Against, Goal Difference, Rank.

Table B: League standings for teams including 盛岡E, 黒沢尻東, 千蔵, 軽米, 向中野. Columns include Win, Draw, Loss, Points, Goals For, Goals Against, Goal Difference, Rank.

Table J: League standings for teams including 一戸, NAKASATO, V岩手, NORTE, 東和, 0. Columns include Win, Draw, Loss, Points, Goals For, Goals Against, Goal Difference, Rank.

Table C: League standings for teams including マリオ, 青山, 飯豊, ゆはず, 東山. Columns include Win, Draw, Loss, Points, Goals For, Goals Against, Goal Difference, Rank.

Table K: League standings for teams including 花巻銀河2, 山岸, 八幡平, 前沢, 大三. Columns include Win, Draw, Loss, Points, Goals For, Goals Against, Goal Difference, Rank.

Table D: League standings for teams including 南城, 水沢, 大槌, 鶴岡, アントス. Columns include Win, Draw, Loss, Points, Goals For, Goals Against, Goal Difference, Rank.

Table L: League standings for teams including 紫波, 滝沢, 雫石, 江釣子, アルタス. Columns include Win, Draw, Loss, Points, Goals For, Goals Against, Goal Difference, Rank.

Table E: League standings for teams including 太田東, 大新, 飛勢, 平泉, 千徳. Columns include Win, Draw, Loss, Points, Goals For, Goals Against, Goal Difference, Rank.

Table M: League standings for teams including 花泉, 月が丘, ノーサンライズ, 釜石, S水沢, AOBA. Columns include Win, Draw, Loss, Points, Goals For, Goals Against, Goal Difference, Rank.

Table F: League standings for teams including 羽場飯岡, CIELO, 葛巻, MIRUMAE, 山田. Columns include Win, Draw, Loss, Points, Goals For, Goals Against, Goal Difference, Rank.

Table N: League standings for teams including エスベ雷吉, 奥州UN, Vとおの, 一関, VARZEA, ネオベスト. Columns include Win, Draw, Loss, Points, Goals For, Goals Against, Goal Difference, Rank.

Table G: League standings for teams including UEDA, CIELO2, 藤沢, 江刺, 花巻. Columns include Win, Draw, Loss, Points, Goals For, Goals Against, Goal Difference, Rank.

Table O: League standings for teams including 胆沢, OGASA, BMR, 久慈, 鬼柳, 0. Columns include Win, Draw, Loss, Points, Goals For, Goals Against, Goal Difference, Rank.

Table H: League standings for teams including 相去, MIYAKO, 磐井W, 緑が丘, 矢巾, 0. Columns include Win, Draw, Loss, Points, Goals For, Goals Against, Goal Difference, Rank.

Table P: League standings for teams including 宮野目, グルージャ, カワサキ, 松園, 高田. Columns include Win, Draw, Loss, Points, Goals For, Goals Against, Goal Difference, Rank.